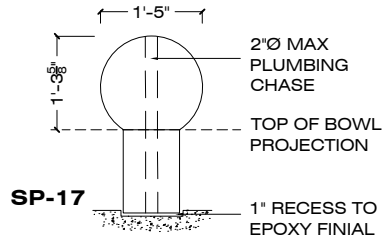
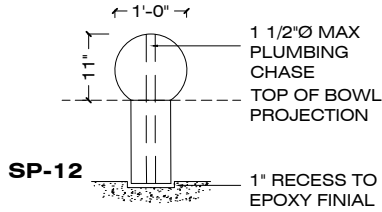
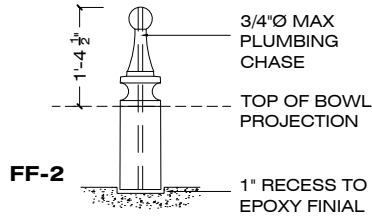
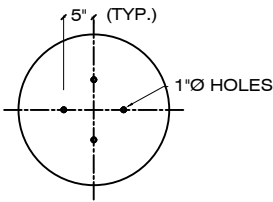


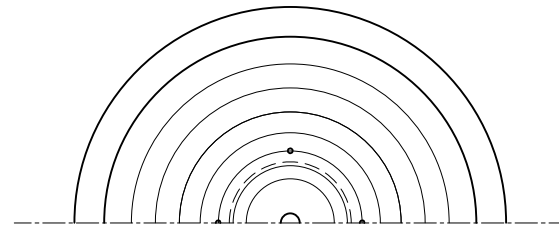
ITEM **FB-13**  
1 TIER



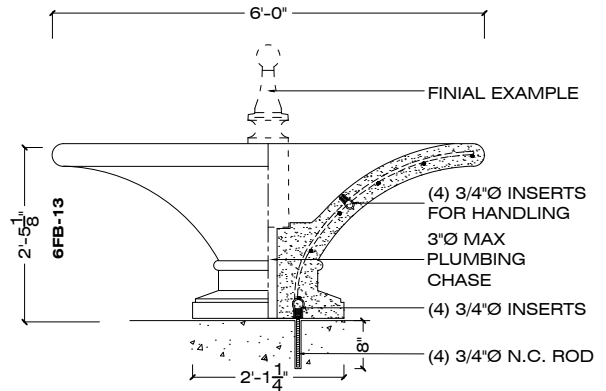
**FINIAL OPTIONS**



**BOTTOM ANCHOR LOCATION**



**TOP VIEW**



**ELEVATION SECTION**

3/8" = 1' - 0

MODEL No. TIER FINIAL FINISH  
**ORDER CODE: S - FB - 13 - 1 TIER - FF-2 - S-17 - LSB**  
 PRECAST CONCRETE **SP-12** COLOR  
**SP-17**

**SPECIFICATIONS :**

**MATERIAL :** PRECAST CONCRETE  
**REBAR :** #3 BAR - COATED  
**WEIGHT :** 6FB-13 1570 LBS

**COLOR :** S-1 S-2 S-3 S-4 S-5 S-6 S-7 S-8 S-9  
 S-10 S-11 S-12 S-13 S-14 S-15 S-16 S-17 S-18

**FINISH :** SK / AE / LSB / MSB

**APPROVED BY :** \_\_\_\_\_

SK: SMOOTH / AE: ACID ETCH / LSB: LIGHT SANDBLAST / MSB: MEDIUM SANDBLAST

CONTACT: CORPORATE / ADMINISTRATIVE: 650 965 7100

[www.duraartstone.com](http://www.duraartstone.com)