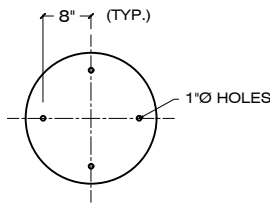
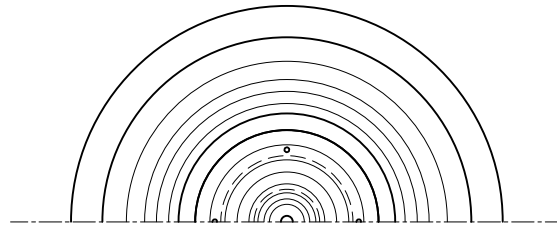


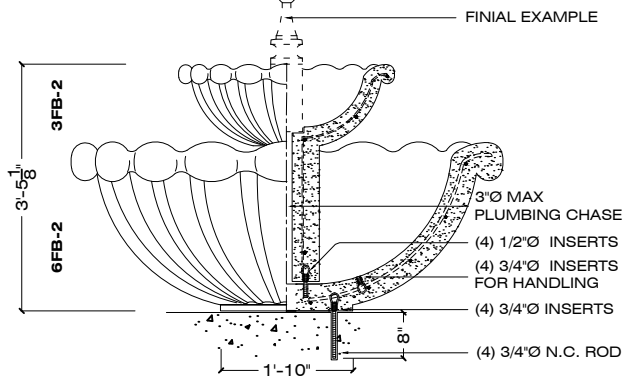
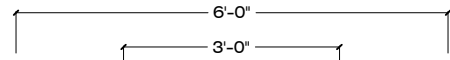
**FINIAL OPTIONS**



**BOTTOM ANCHOR LOCATION**



**TOP VIEW**



**ELEVATION**

**SECTION**

\*ASSEMBLY REQUIRED

3/8" = 1' - 0

ORDER CODE: **S - FB - 2 - 2 TIER - FF-2A - S-17 - LSB**  
 PRECAST CONCRETE      COLOR

**SPECIFICATIONS :**

**MATERIAL :** PRECAST CONCRETE

**COLOR :** S-1 S-2 S-3 S-4 S-5 S-6 S-7 S-8 S-9

**REBAR :** #3 BAR - COATED

S-10 S-11 S-12 S-13 S-14 S-15 S-16 S-17 S-18

**WEIGHT :**  
 3FB-2      525 LBS  
 6FB-2      3900 LBS  
 4425 LBS

**FINISH :** SK / AE / LSB / MSB

**APPROVED BY :** \_\_\_\_\_

SK: SMOOTH / AE: ACID ETCH / LSB: LIGHT SANDBLAST / MSB: MEDIUM SANDBLAST

CONTACT: CORPORATE / ADMINISTRATIVE: 650 965 7100

[www.duraartstone.com](http://www.duraartstone.com)