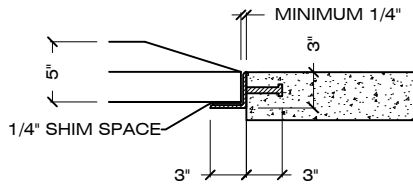
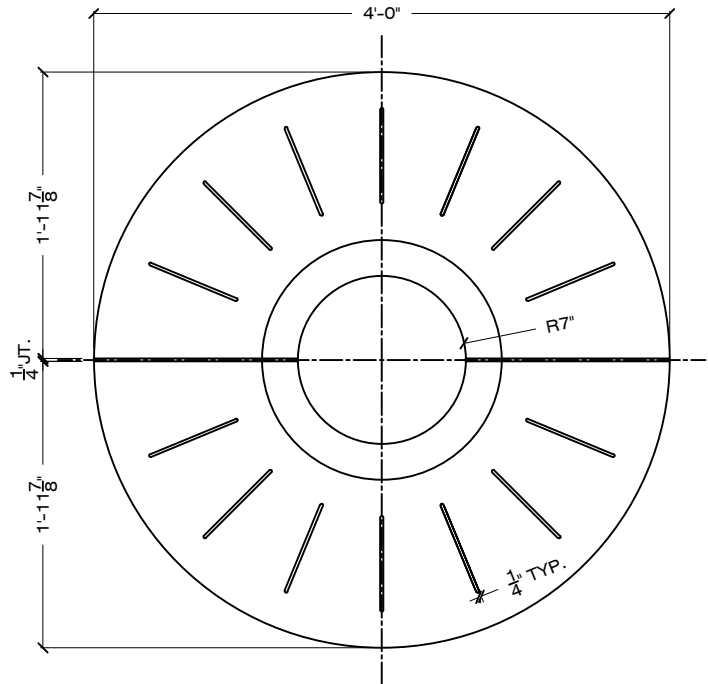


**CONCRETE CURB**



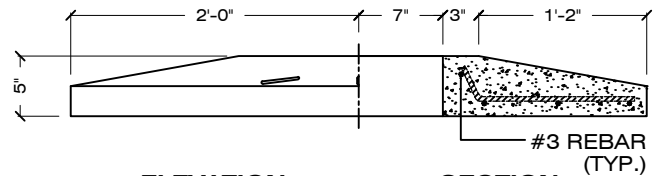
**METAL FRAME**

3" X 3" X 1/4" with (12) 1/2" studs.



**PLAN VIEW**

**INSTALLATION OPTIONS**



**ELEVATION**

**SECTION**

3/4" = 1' - 0"

ORDER CODE: **S - 4 - TGR-6 - S-17 - LSB**

DIAMETER | COLOR

| PRECAST CONCRETE | DESIGN | FINISH

**SPECIFICATIONS :**

**MATERIAL :** PRECAST CONCRETE

**REBAR :** #3 BAR

**WEIGHT :** 540 LBS

**DIMENSIONS :** 48" Ø X 5" HEIGHT

**COLOR :** S-1 S-2 S-3 S-4 S-5 S-6 S-7 S-8 S-9  
S-10 S-11 S-12 S-13 S-14 S-15 S-16 S-17 S-18

**FINISH :** SK / AE / LSB / MSB

**APPROVED BY :** \_\_\_\_\_

SK: SMOOTH / AE: ACID ETCH / LSB: LIGHT SANDBLAST / MSB: MEDIUM SANDBLAST

CONTACT: CORPORATE / ADMINISTRATIVE: 650 965 7100

[www.duraartstone.com](http://www.duraartstone.com)

SPECIFICATION © DURAARTSTONE