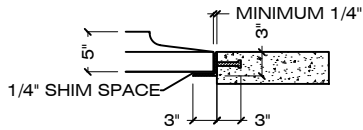
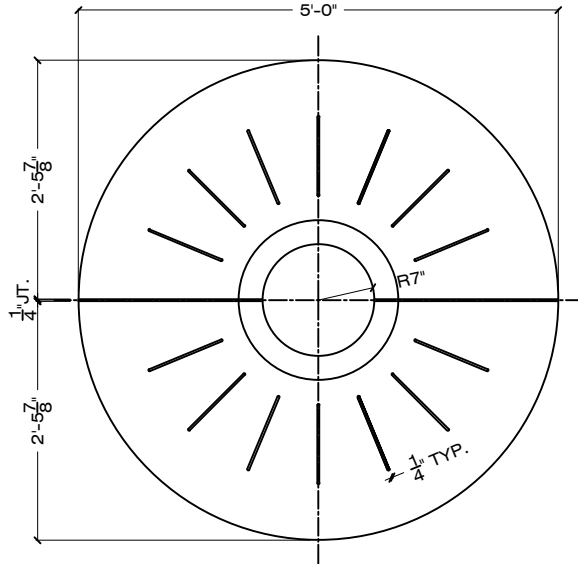


CONCRETE CURB



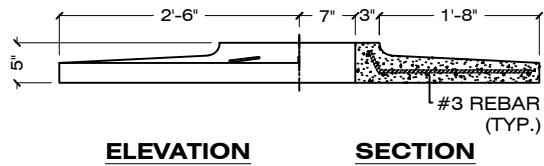
METAL FRAME

3" X 3" X 1/4" with (12) 1/2" studs.



PLAN VIEW

INSTALLATION OPTIONS



ELEVATION

SECTION

1/2" = 1' - 0

ORDER CODE: S - 5 - TGR-5 - S-17 - LSB

DIAMETER | COLOR
 | |
 PRECAST CONCRETE | DESIGN | FINISH

SPECIFICATIONS :

MATERIAL : PRECAST CONCRETE

REBAR : #3 BAR

WEIGHT : 710 LBS

DIMENSIONS : 60" Ø X 5" HEIGHT

COLOR : S-1 S-2 S-3 S-4 S-5 S-6 S-7 S-8 S-9
S-10 S-11 S-12 S-13 S-14 S-15 S-16 S-17 S-18

FINISH : SK / AE / LSB / MSB

APPROVED BY : _____

SK: SMOOTH / AE: ACID ETCH / LSB: LIGHT SANDBLAST / MSB: MEDIUM SANDBLAST

CONTACT: CORPORATE / ADMINISTRATIVE: 650 965 7100

www.duraartstone.com

SPECIFICATION © DURAARTSTONE