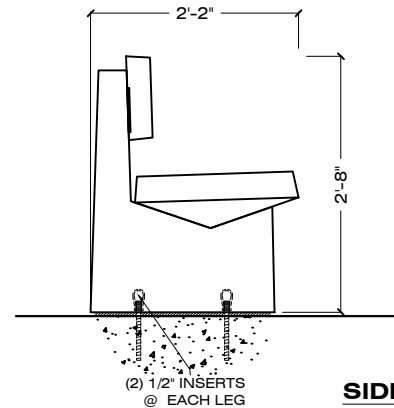
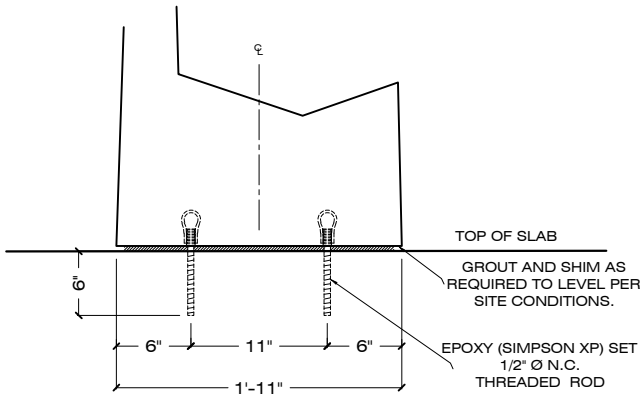


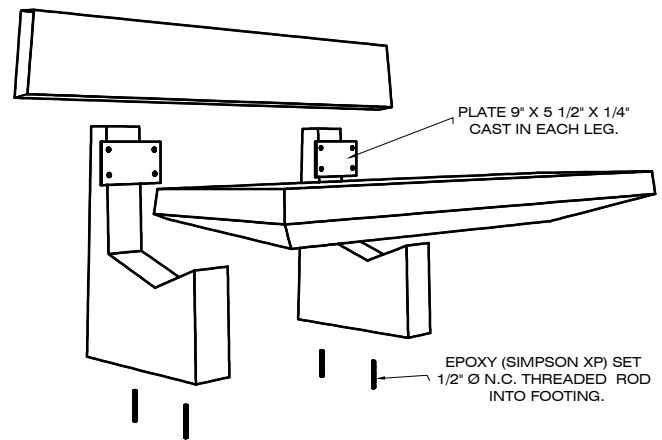
FRONT VIEW



SIDE VIEW



SURFACE MOUNT (B)



EXPLODED VIEW

BENCHES - ON SITE ASSEMBLY REQUIRED

1/2" = 1' - 0

ORDER CODE: S - 8 - M - B - S-1 - LSB / AE

LENGHT IN FEET MOUNTING OPTION FINISH

PRECAST CONCRETE DESIGN COLOR FINISH EXAMPLE TOP OF BENCHES & TABLES RECEIVE MATTE SEALER

SPECIFICATIONS :

MATERIAL : PRECAST CONCRETE

REBAR : #3 BAR

WEIGHT : 1,400 LBS

DIMENSIONS : 96" L X 24" W X 32" H

COLOR : S-1 S-2 S-3 S-4 S-5 S-6 S-7 S-8 S-9 S-10 S-11 S-12 S-13 S-14 S-15 S-16 S-17 S-18

FINISH : SK / AE / LSB / MSB

APPROVED BY : _____

SK: SMOOTH / AE: ACID ETCH / LSB: LIGHT SANDBLAST / MSB: MEDIUM SANDBLAST

CONTACT: CORPORATE / ADMINISTRATIVE: 650 965 7100

www.duraartstone.com