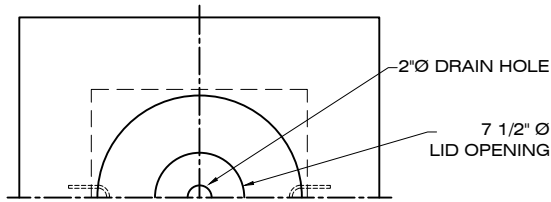


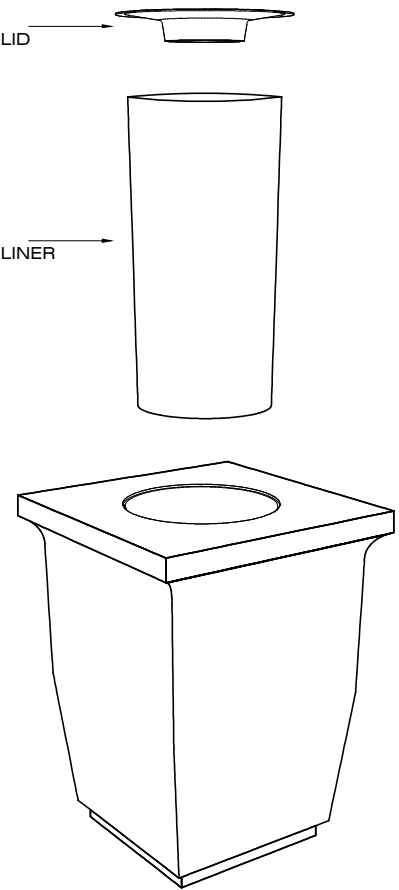
ITEM **S-TR-BLS**



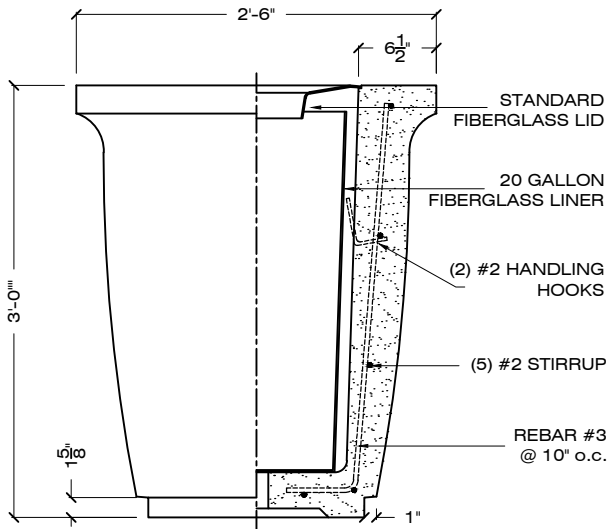
**PLAN VIEW**

STANDARD FIBERGLASS LID

20 GALLON FIBERGLASS LINER



**EXPLODED VIEW**



**ELEVATION SECTION**

3/4" = 1' - 0

MODEL No. FINISH LID COLOR  
**ORDER CODE: S - TR-BLS - S-1 - LSB - STD - GRAY**  
 PRECAST CONCRETE COLOR LID OPTION

**SPECIFICATIONS :**

**MATERIAL :** PRECAST CONCRETE

**REBAR :** #3 BAR

**WEIGHT :** 1,420 LBS

**DIMENSIONS :** 30" X 36" HEIGHT

**COLOR :** S-1 S-2 S-3 S-4 S-5 S-6 S-7 S-8 S-9  
S-10 S-11 S-12 S-13 S-14 S-15 S-16 S-17 S-18

**LID COLOR :** BLACK / BROWN / GRAY / WHITE

**FINISH :** SK / AE / LSB / MSB

**APPROVED BY :** \_\_\_\_\_

SK: SMOOTH / AE: ACID ETCH / LSB: LIGHT SANDBLAST / MSB: MEDIUM SANDBLAST

CONTACT: CORPORATE / ADMINISTRATIVE: 650 965 7100

[www.duraartstone.com](http://www.duraartstone.com)