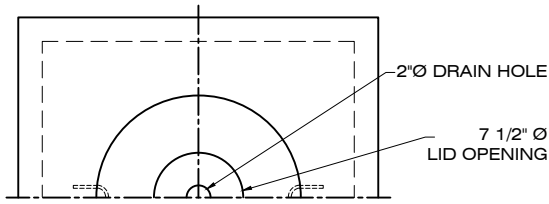
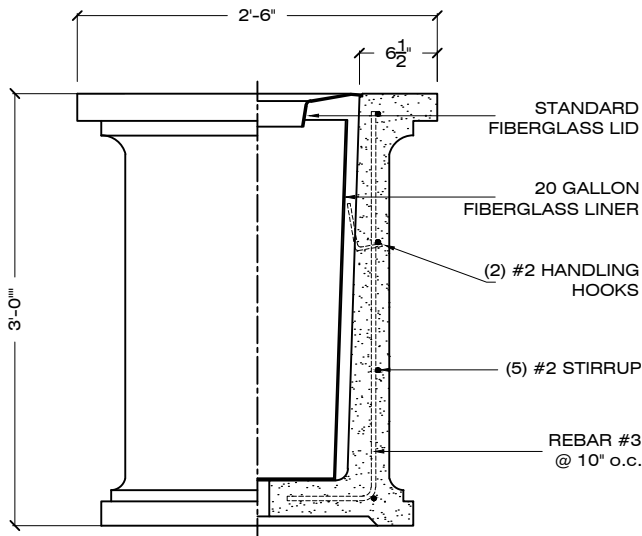
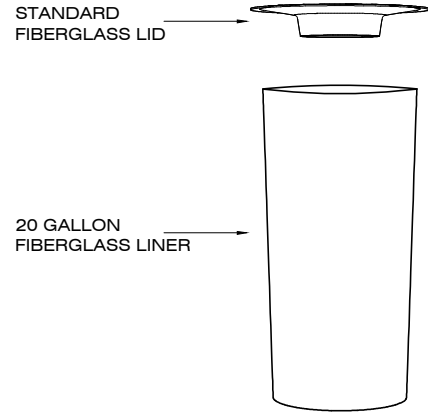


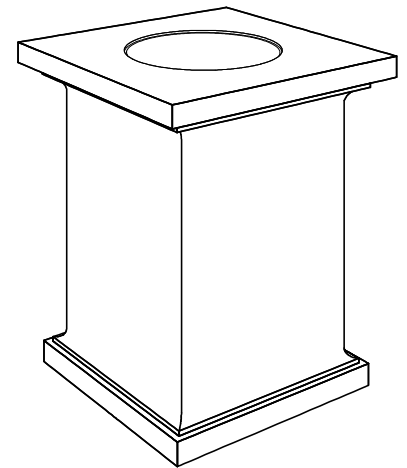
ITEM **S-TR-HS**



**PLAN VIEW**



**ELEVATION SECTION**



**EXPLODED VIEW**

3/4" = 1' - 0

ORDER CODE: **S - TR-HS - S-1 - LSB - STD - GRAY**

MODEL No. FINISH LID COLOR  
PRECAST CONCRETE COLOR LID OPTION

**SPECIFICATIONS :**

**MATERIAL :** PRECAST CONCRETE

**REBAR :** #3 BAR

**WEIGHT :** 1,280 LBS

**DIMENSIONS :** 30" X 36" HEIGHT

**COLOR :**  S-1  S-2  S-3  S-4  S-5  S-6  S-7  S-8  S-9  
 S-10  S-11  S-12  S-13  S-14  S-15  S-16  S-17  S-18

**LID COLOR :** BLACK / BROWN / GRAY / WHITE

**FINISH :** SK / AE / LSB / MSB

**APPROVED BY :** \_\_\_\_\_

SK: SMOOTH / AE: ACID ETCH / LSB: LIGHT SANDBLAST / MSB: MEDIUM SANDBLAST

CONTACT: CORPORATE / ADMINISTRATIVE: 650 965 7100

[www.duraartstone.com](http://www.duraartstone.com)

SPECIFICATION © DURAARTSTONE