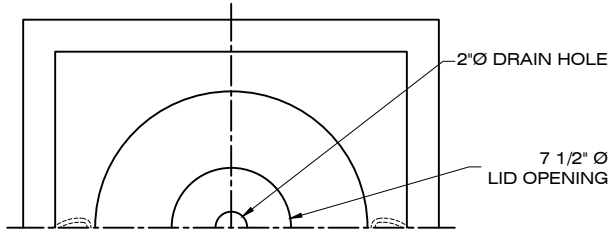


ITEM **W-TR-E**

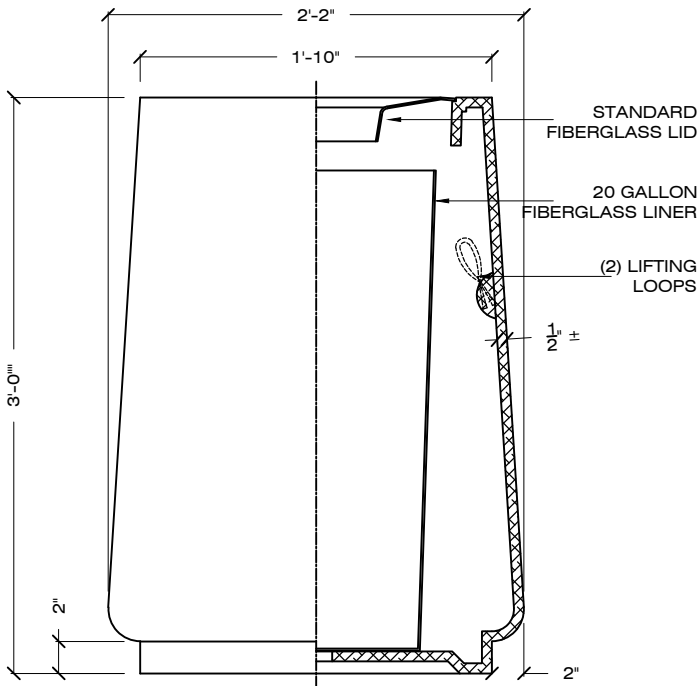
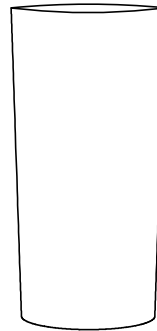


**PLAN VIEW**

STANDARD FIBERGLASS LID

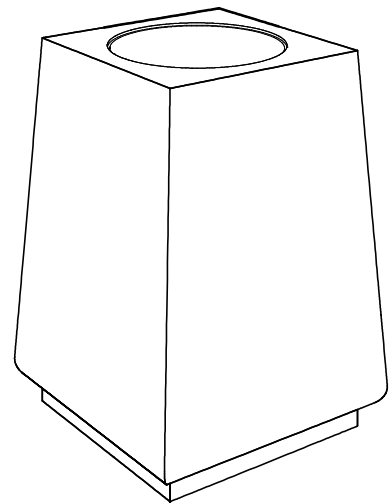


20 GALLON FIBERGLASS LINER



**ELEVATION**

**SECTION**



**EXPLODED VIEW**

1" = 1' - 0

MODEL No. FINISH LID COLOR  
**ORDER CODE: W - TR-E - S-1 - LSB - STD - GRAY**  
 GLASCRETE COLOR LID OPTION

**SPECIFICATIONS :**

**MATERIAL :** GLASCRETE

**WEIGHT :** 330 LBS

**DIMENSIONS :** 26"  $\square$  X 36" HEIGHT

**COLOR :**  S-1  S-2  S-3  S-4  S-5  S-6  S-7  S-8  S-9  
 S-10  S-11  S-12  S-13  S-14  S-15  S-16  S-17  S-18

**LID COLOR :** BLACK / BROWN / GRAY / WHITE

**FINISH :** / LSB /

**APPROVED BY :** \_\_\_\_\_

LSB: LIGHT SANDBLAST

CONTACT: CORPORATE / ADMINISTRATIVE: 650 965 7100

[www.duraartstone.com](http://www.duraartstone.com)

SPECIFICATION © DURAARTSTONE