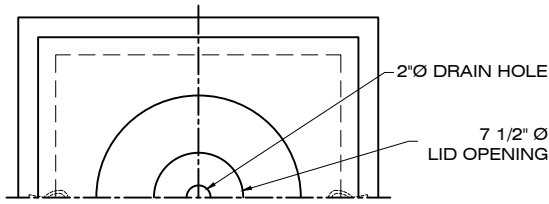
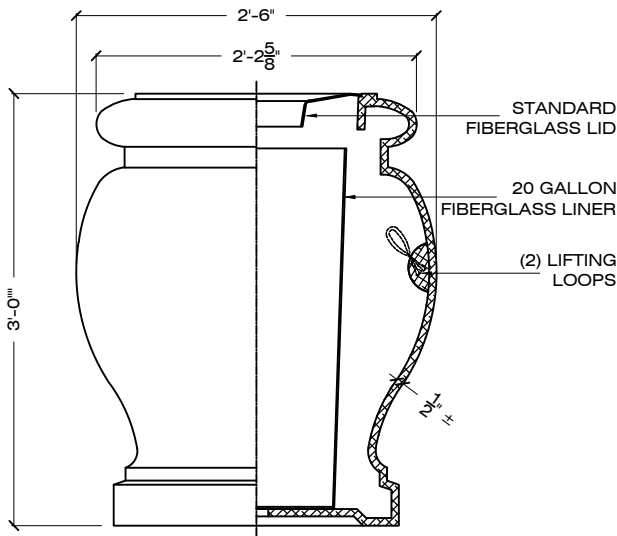
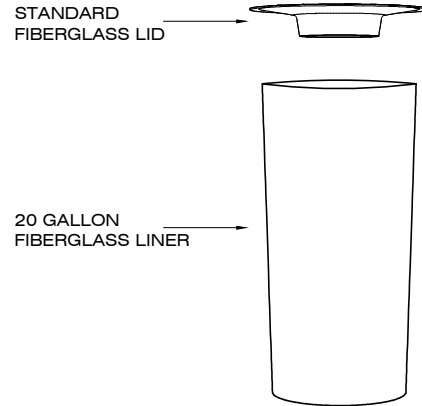


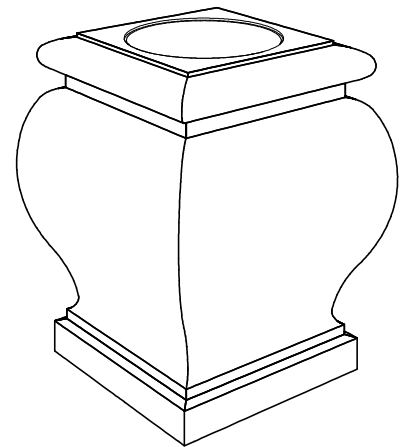
ITEM **W-TR-GS**



PLAN VIEW



ELEVATION SECTION



EXPLODED VIEW

3/4" = 1' - 0

ORDER CODE: **W - TR-GS - S-1 - LSB - STD - GRAY**

MODEL No. | FINISH | LID COLOR

GLASCRETE | COLOR | LID OPTION

SPECIFICATIONS :

MATERIAL : GLASCRETE

WEIGHT : 380 LBS

DIMENSIONS : 30" \square X 36" HEIGHT

COLOR : S-1 S-2 S-3 S-4 S-5 S-6 S-7 S-8 S-9
 S-10 S-11 S-12 S-13 S-14 S-15 S-16 S-17 S-18

LID COLOR : BLACK / BROWN / GRAY / WHITE

FINISH : / LSB /

APPROVED BY : _____

LSB: LIGHT SANDBLAST

CONTACT: CORPORATE / ADMINISTRATIVE: 650 965 7100

www.duraartstone.com

SPECIFICATION © DURAARTSTONE