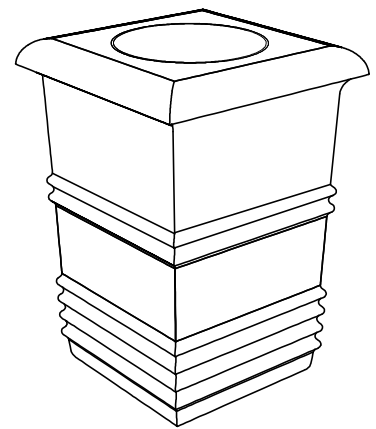
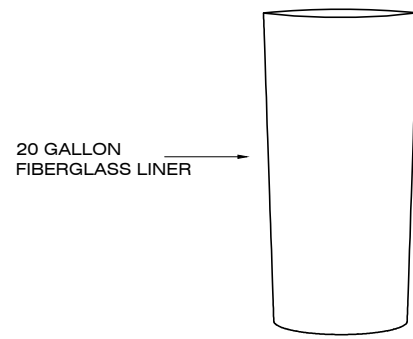
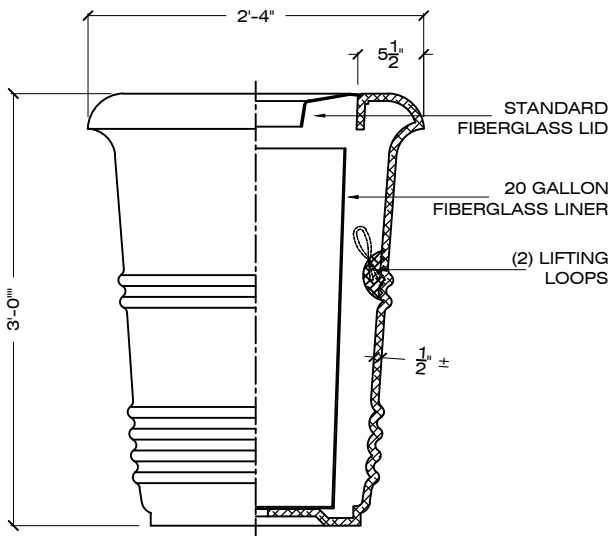


PLAN VIEW



EXPLODED VIEW



ELEVATION SECTION

3/4" = 1' - 0

ORDER CODE: W - TR-RS - S-1 - LSB - STD - GRAY

MODEL No. FINISH LID COLOR
 | | |
W **TR-RS** **S-1** **LSB** **STD** **GRAY**
 | | |
 GLASCRETE COLOR LID OPTION

SPECIFICATIONS :

MATERIAL : GLASCRETE

WEIGHT : 360 LBS

DIMENSIONS : 28" X 36" HEIGHT

COLOR : S-1 S-2 S-3 S-4 S-5 S-6 S-7 S-8 S-9
 S-10 S-11 S-12 S-13 S-14 S-15 S-16 S-17 S-18

LID COLOR : BLACK / BROWN / GRAY / WHITE

FINISH : / LSB /

APPROVED BY : _____

LSB: LIGHT SANDBLAST

CONTACT: CORPORATE / ADMINISTRATIVE: 650 965 7100

www.duraartstone.com

SPECIFICATION © DURAARTSTONE