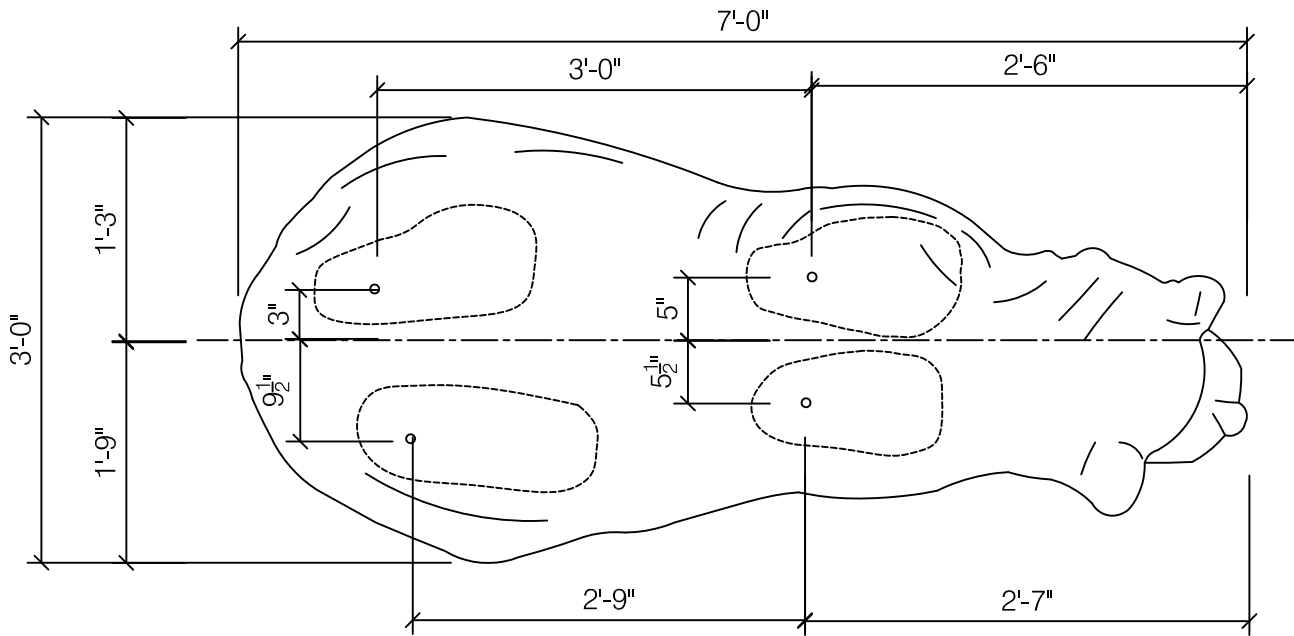
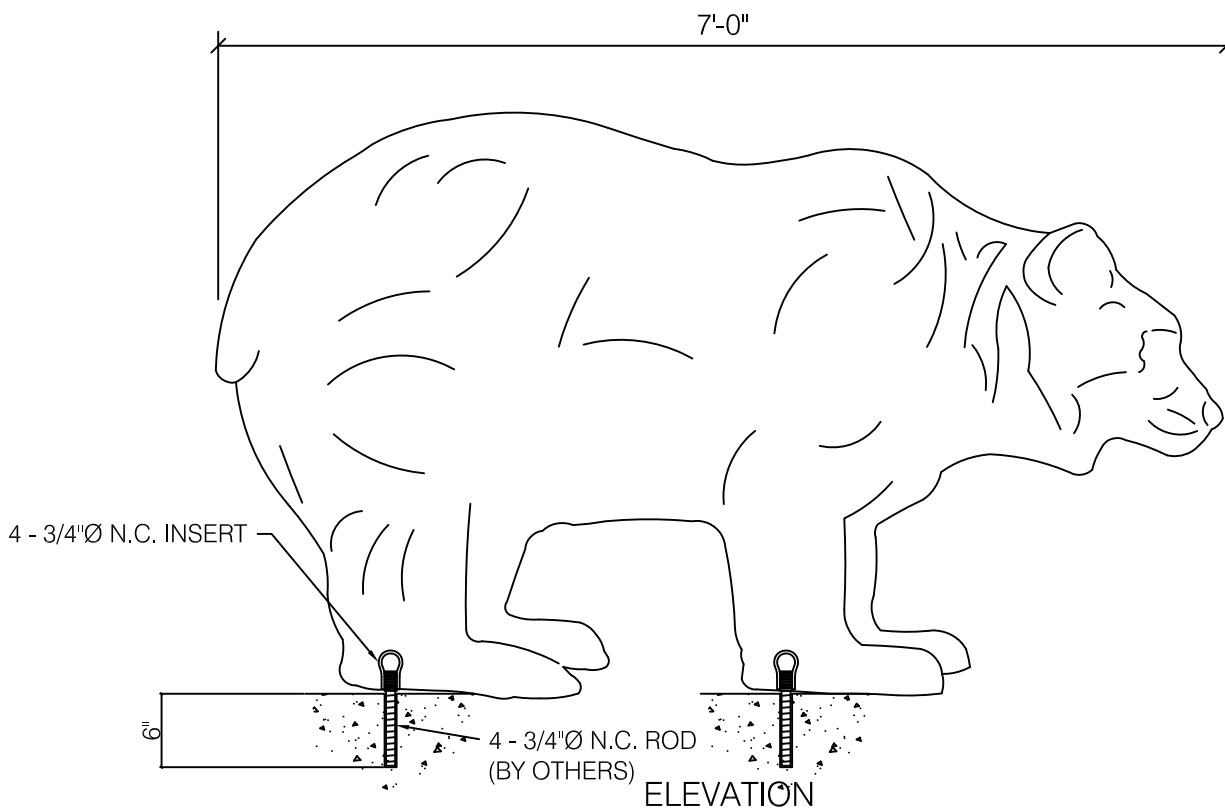




DURA ART STONE



PLAN VIEW



ELEVATION

CONCRETE BEAR

MODEL #104

SCALE: 3/4" = 1'-0"

DRAWN BY: GM