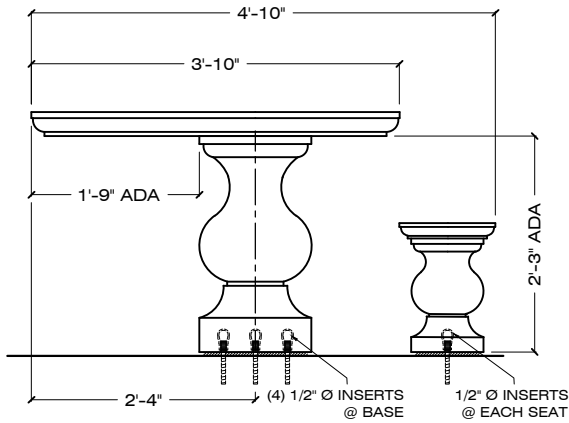
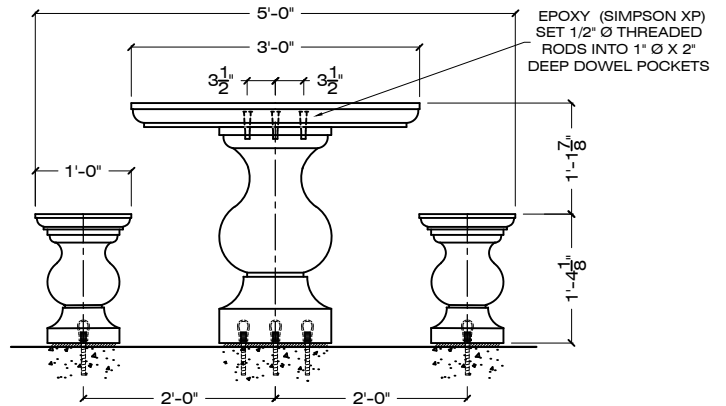


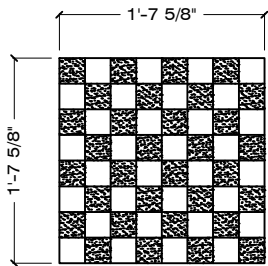
ITEM **S-3PT-30**



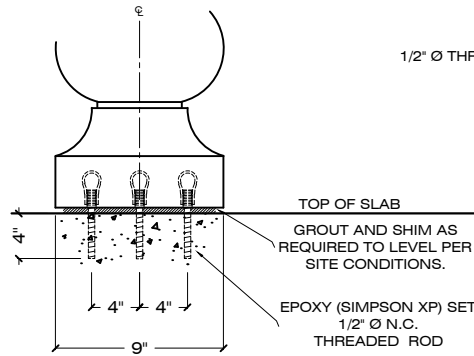
FRONT VIEW



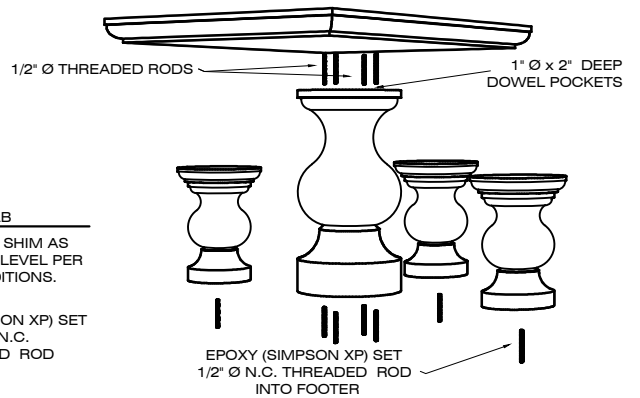
SIDE VIEW



GAME TABLE OPTION
BLACK & WHITE TILE CHECKERBOARD



SURFACE MOUNT (B)



EXPLODED VIEW

PICNIC TABLES - ON SITE ASSEMBLY REQUIRED

1/2" = 1' - 0

ADA COMPLIANT

ORDER CODE: S - 3 - PT-30 - B - S-1 - LSB / AE

LENGHT IN FEET: 3
MOUNTING OPTION: PT-30
FINISH: LSB / AE

PRECAST CONCRETE: B
DESIGN: S-1
COLOR: S-1
FINISH EXAMPLE TOP OF BENCHES & TABLES RECEIVE MATTE SEALER: LSB / AE

SPECIFICATIONS :

MATERIAL : PRECAST CONCRETE

REBAR : #3 BAR

WEIGHT :

| | |
|---------------------|------------------|
| TABLE | 430 LBS |
| TABLE BASE | 480 LBS |
| (3) SEAT EA. | 80 LBS |
| TOTAL WEIGHT | 1,150 LBS |

COLOR : S-1 S-2 S-3 S-4 S-5 S-6 S-7 S-8 S-9
S-10 S-11 S-12 S-13 S-14 S-15 S-16 S-17 S-18

FINISH : SK / AE / LSB / MSB

DIMENSIONS : 60" L X 58" W X 30" H

APPROVED BY : _____

SK: SMOOTH / AE: ACID ETCH / LSB: LIGHT SANDBLAST / MSB: MEDIUM SANDBLAST

CONTACT: CORPORATE / ADMINISTRATIVE: 650 965 7100

www.duraartstone.com