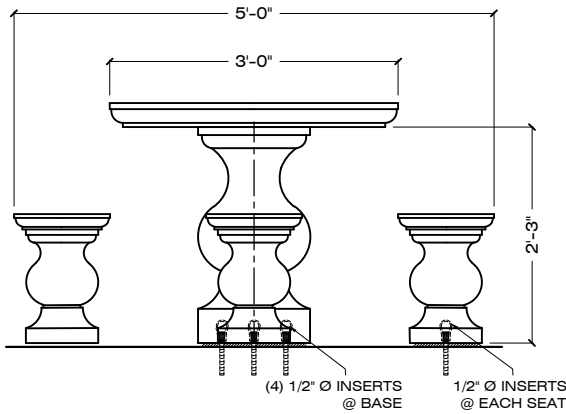
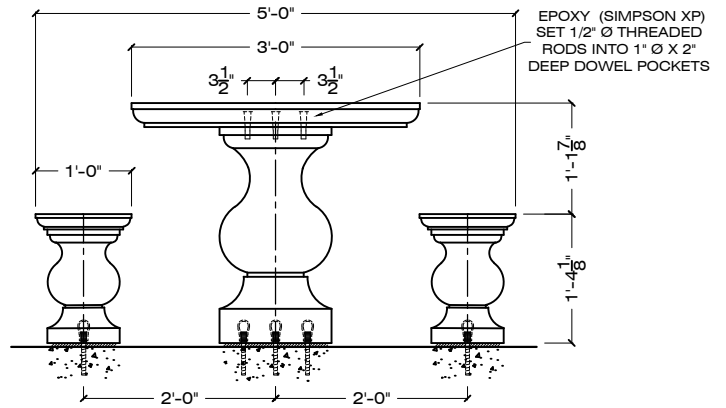


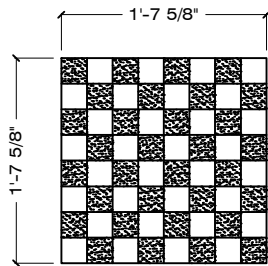
ITEM **S-3PT-30**



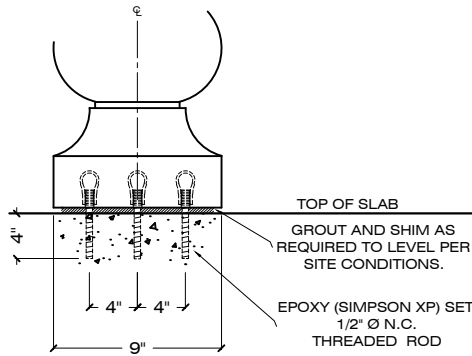
**FRONT VIEW**



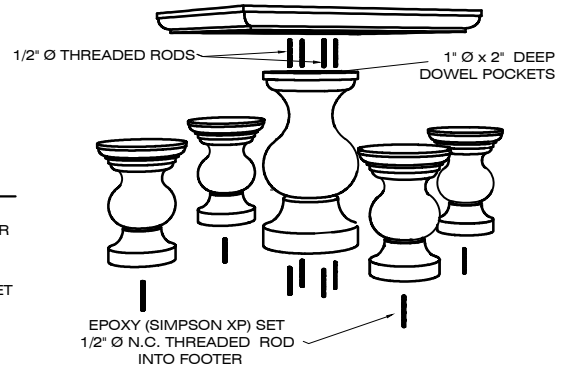
**SIDE VIEW**



**GAME TABLE OPTION**  
BLACK & WHITE TILE CHECKERBOARD



**SURFACE MOUNT** (B)



**EXPLODED VIEW**

**PICNIC TABLES - ON SITE ASSEMBLY REQUIRED**

1/2" = 1' - 0

**ORDER CODE: S - 3 - PT-30 - B - S-1 - LSB / AE**

LENGHT IN FEET: 3  
 MOUNTING OPTION: PT-30  
 DESIGN: B  
 COLOR: S-1  
 FINISH: LSB / AE  
 PRECAST CONCRETE  
 FINISH EXAMPLE TOP OF BENCHES & TABLES RECEIVE MATTE SEALER

**SPECIFICATIONS :**

**MATERIAL :** PRECAST CONCRETE  
**REBAR :** #3 BAR  
**WEIGHT :** TABLE 340 LBS  
 TABLE BASE 480 LBS  
 (4) SEAT EA. 80 LBS  
**TOTAL WEIGHT 1,140 LBS**

**COLOR :** S-1 S-2 S-3 S-4 S-5 S-6 S-7 S-8 S-9  
 S-10 S-11 S-12 S-13 S-14 S-15 S-16 S-17 S-18

**FINISH :** SK / AE / LSB / MSB

**DIMENSIONS :** 60" L X 60" W X 30" H

**APPROVED BY :** \_\_\_\_\_

SK: SMOOTH / AE: ACID ETCH / LSB: LIGHT SANDBLAST / MSB: MEDIUM SANDBLAST

CONTACT: CORPORATE / ADMINISTRATIVE: 650 965 7100

[www.duraartstone.com](http://www.duraartstone.com)