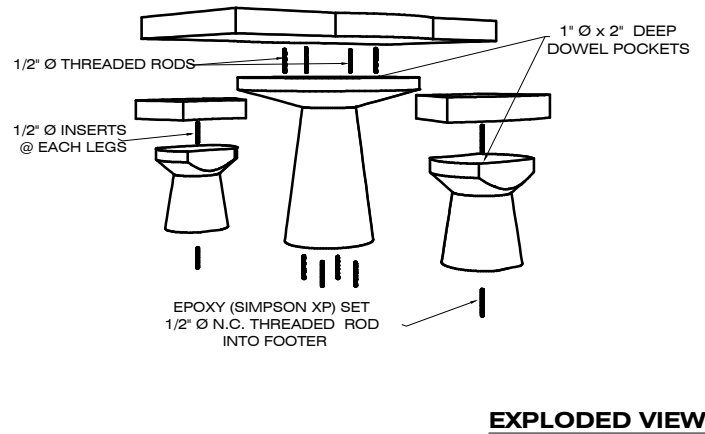
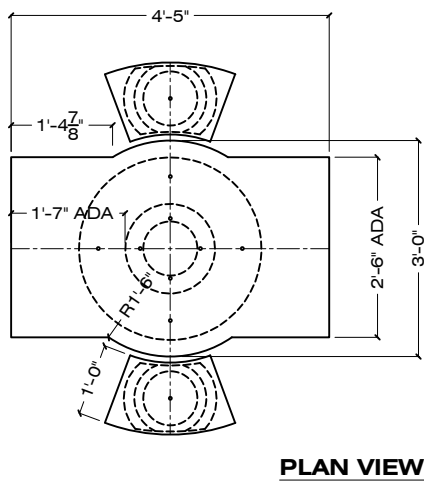
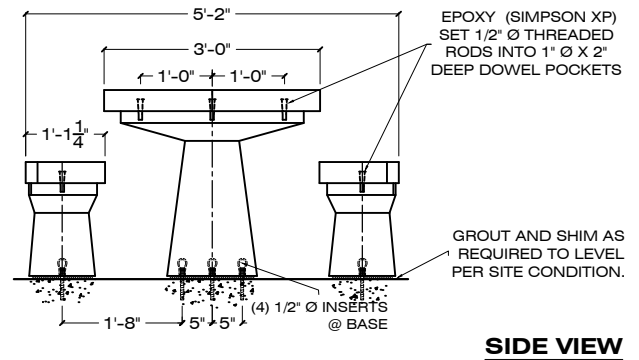
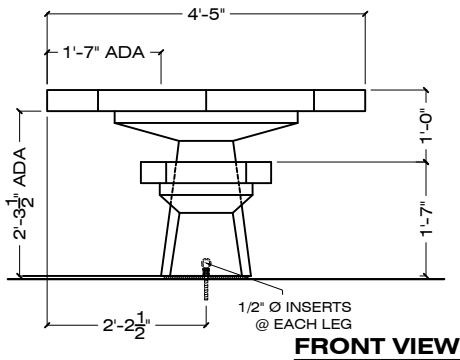


ITEM **S-3PT-7**



PICNIC TABLES - ON SITE ASSEMBLY REQUIRED

3/8" = 1' - 0"

ADA COMPLIANT

ORDER CODE: S - 3 - PT-7 - B - S-1 - LSB / AE

LENGHT IN FEET: 3
 MOUNTING OPTION: PT-7
 FINISH: LSB / AE

PRECAST CONCRETE DESIGN COLOR FINISH EXAMPLE TOP OF BENCHES & TABLES RECEIVE MATTE SEALER

SPECIFICATIONS :

MATERIAL : PRECAST CONCRETE

COLOR : S-1 S-2 S-3 S-4 S-5 S-6 S-7 S-8 S-9

REBAR : #3 BAR

S-10 S-11 S-12 S-13 S-14 S-15 S-16 S-17 S-18

WEIGHT :

TABLE	500 LBS
TABLE BASE	490 LBS
(2) SEATS EA.	70 LBS
(2) SEAT LEG EA.	180 LBS
TOTAL WEIGHT	1,490 LBS

FINISH : SK / AE / LSB / MSB

DIMENSIONS : 62" L X 53" W X 31" H

APPROVED BY : _____

SK: SMOOTH / AE: ACID ETCH / LSB: LIGHT SANDBLAST / MSB: MEDIUM SANDBLAST

CONTACT: CORPORATE / ADMINISTRATIVE: 650 965 7100

www.duraartstone.com