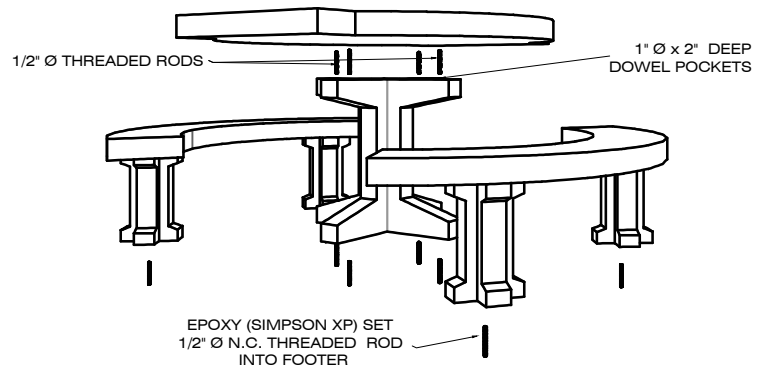
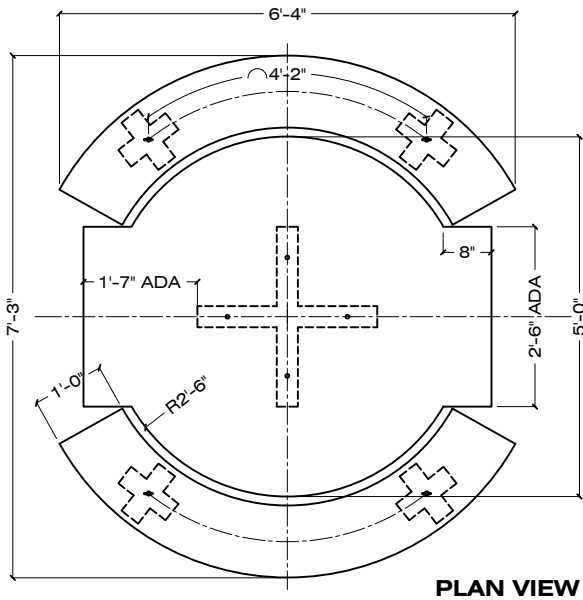
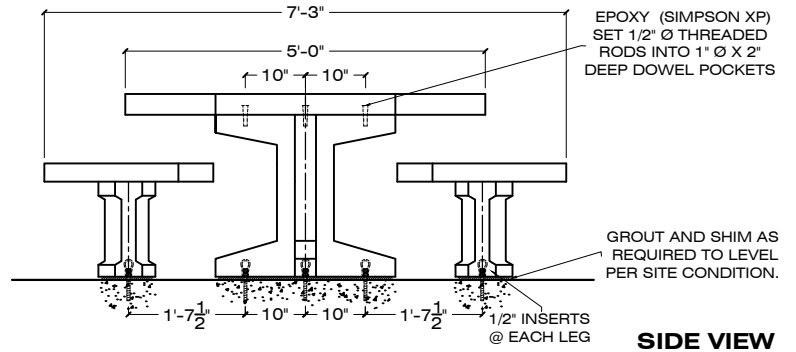
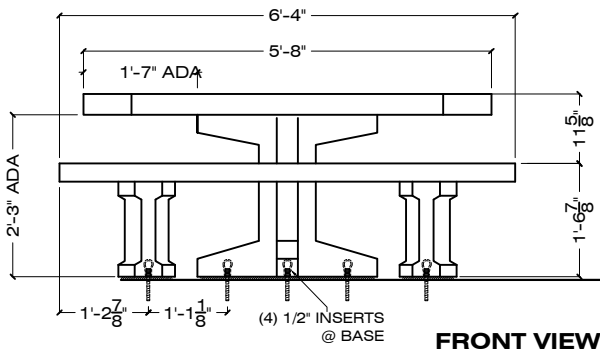


ITEM **S-5PT-12**



PICNIC TABLES - ON SITE ASSEMBLY REQUIRED

3/8" = 1' - 0

ADA COMPLIANT

ORDER CODE: S - 5 - PT-12 - B - S-1 - LSB / AE

LENGHT IN FEET | MOUNTING OPTION | FINISH

PRECAST CONCRETE | DESIGN | COLOR | FINISH EXAMPLE TOP OF BENCHES & TABLES RECEIVE MATTE SEALER

SPECIFICATIONS :

MATERIAL : PRECAST CONCRETE

REBAR : #3 BAR

WEIGHT :

TABLE	960 LBS
TABLE BASE	270 LBS
(2) SEATS EA.	290 LBS
(4) SEAT LEGS EA.	80 LBS
TOTAL WEIGHT	2,130 LBS

COLOR : S-1 S-2 S-3 S-4 S-5 S-6 S-7 S-8 S-9
S-10 S-11 S-12 S-13 S-14 S-15 S-16 S-17 S-18

FINISH : SK / AE / LSB / MSB

DIMENSIONS : 87" L X 76" W X 31" H

APPROVED BY : _____

SK: SMOOTH / AE: ACID ETCH / LSB: LIGHT SANDBLAST / MSB: MEDIUM SANDBLAST

CONTACT: CORPORATE / ADMINISTRATIVE: 650 965 7100

www.duraartstone.com

SPECIFICATION © DURAARTSTONE