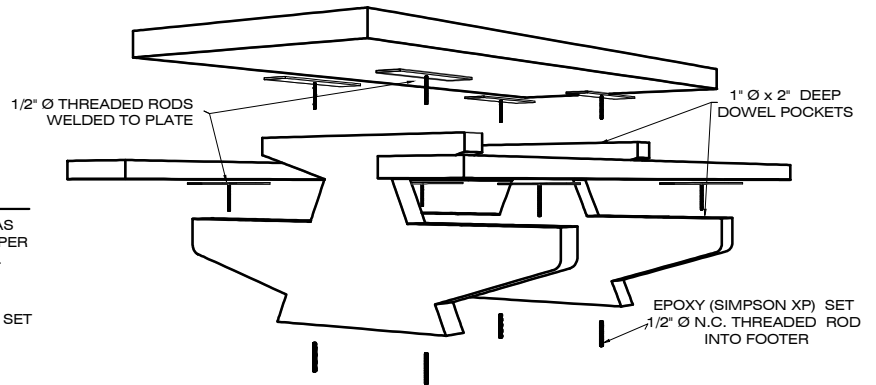
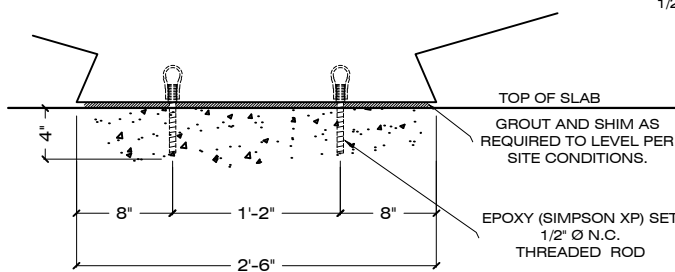
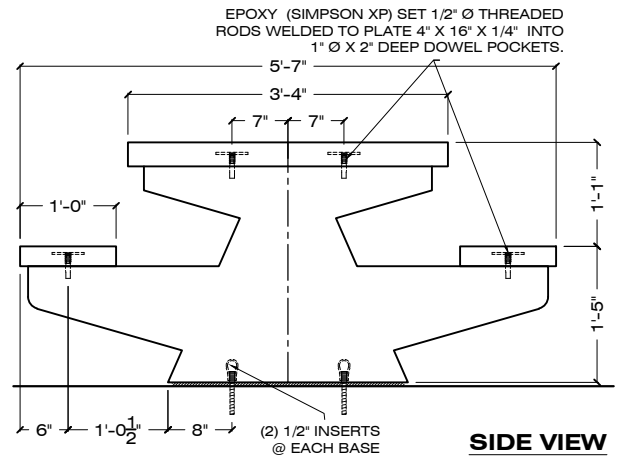
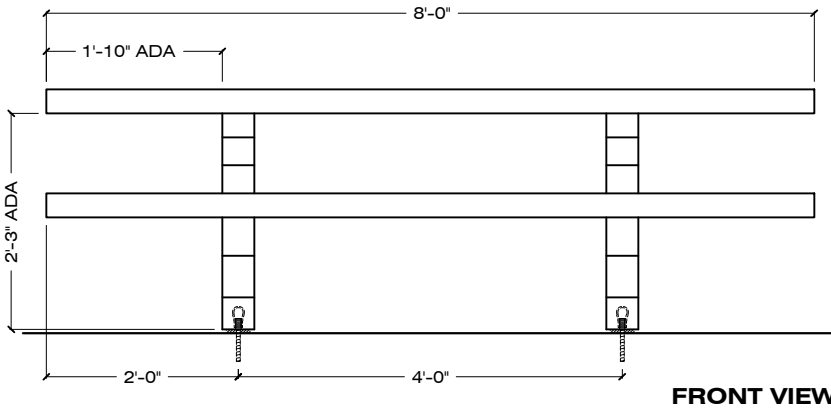


ITEM **S-8PT-2**



**PICNIC TABLES - ON SITE ASSEMBLY REQUIRED**

1/2" = 1' - 0

**ADA COMPLIANT**

**ORDER CODE: S - 8 - PT-2 - B - S-1 - LSB / AE**

LENGHT IN FEET: 8  
MOUNTING OPTION: PT-2  
FINISH: LSB / AE

PRECAST CONCRETE: S  
DESIGN: 8  
COLOR: B  
FINISH EXAMPLE TOP OF BENCHES & TABLES RECEIVE MATTE SEALER: S-1 / AE

**SPECIFICATIONS :**

**MATERIAL :** PRECAST CONCRETE

**REBAR :** #3 BAR

**WEIGHT :** TABLE 1,170 LBS  
(2) TABLE BASE EA. 330 LBS  
(2) SEATS EA. 255 LBS  
TOTAL WEIGHT 2,340 LBS

**COLOR :** S-1 S-2 S-3 S-4 S-5 S-6 S-7 S-8 S-9  
S-10 S-11 S-12 S-13 S-14 S-15 S-16 S-17 S-18

**FINISH :** SK / AE / LSB / MSB

**DIMENSIONS :** 96" L X 67" W X 30" H

**APPROVED BY :** \_\_\_\_\_

SK: SMOOTH / AE: ACID ETCH / LSB: LIGHT SANDBLAST / MSB: MEDIUM SANDBLAST

CONTACT: CORPORATE / ADMINISTRATIVE: 650 965 7100

[www.duraartstone.com](http://www.duraartstone.com)