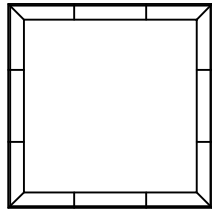
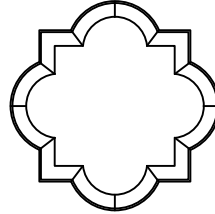


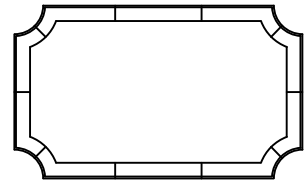
ROUND



SQUARE

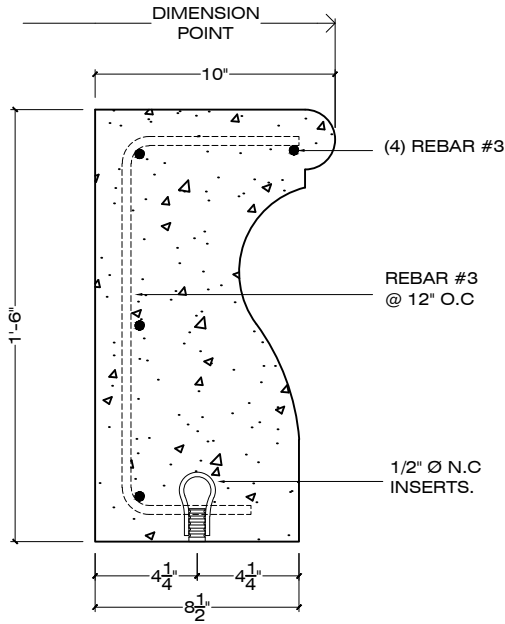


QUATREFOIL

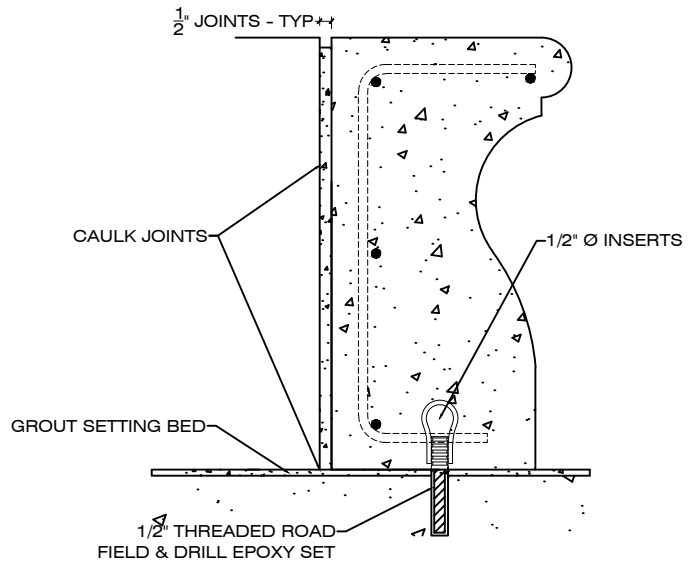


RECTANGULAR

POOL WALL CONFIGURATIONS



SECTION



TYPICAL INSTALLATION DETAIL

1-1/2" = 1' - 0"

ORDER CODE: S - PW-1A - S-1 - LSB

| MODEL No. | FINISH

| PRECAST CONCRETE | COLOR

SPECIFICATIONS :

MATERIAL : PRECAST CONCRETE

REBAR : #3 GALVANIZED REBAR

WEIGHT PER LINEAL FOOT: 150 LBS

DIMENSIONS : 10" WIDTH X 18" HEIGHT

COLOR : S-1 S-2 S-3 S-4 S-5 S-6 S-7 S-8 S-9
S-10 S-11 S-12 S-13 S-14 S-15 S-16 S-17 S-18

FINISH : SK / AE / LSB / MSB

APPROVED BY : _____

SK: SMOOTH / AE: ACID ETCH / LSB: LIGHT SANDBLAST / MSB: MEDIUM SANDBLAST

CONTACT: CORPORATE / ADMINISTRATIVE: 650 965 7100

www.duraartstone.com