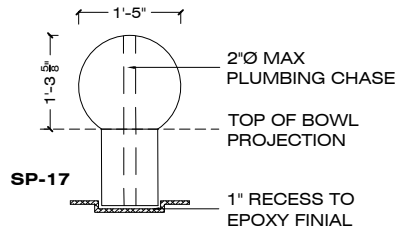
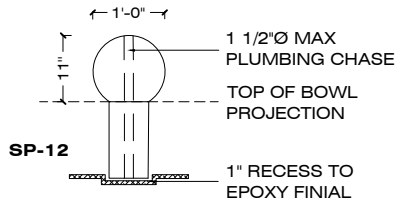
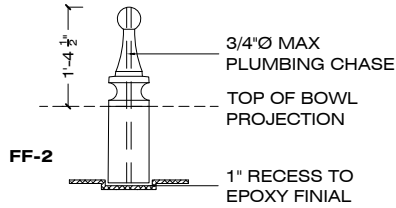
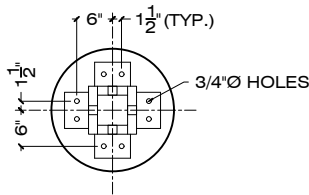


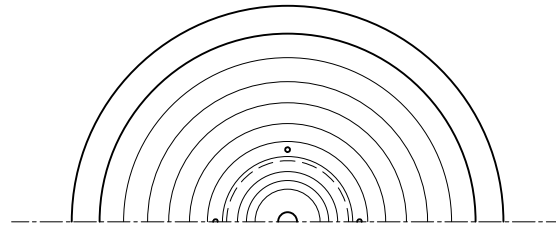
ITEM **FB-11**
1 TIER



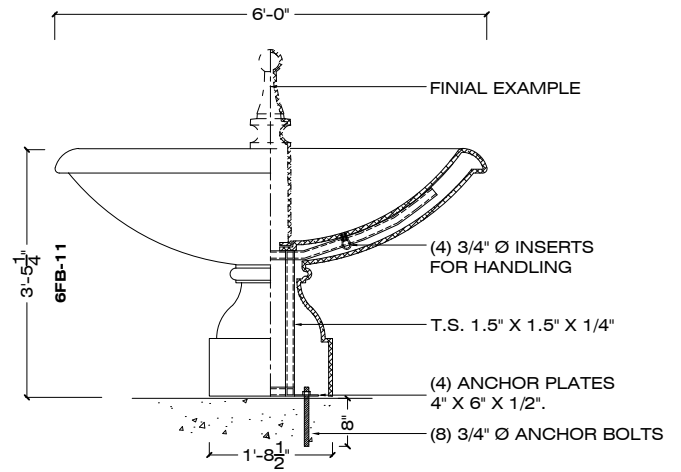
FINIAL OPTIONS



BOTTOM ANCHOR LOCATION



TOP VIEW



ELEVATION

SECTION

3/8" = 1' - 0

MODEL No. TIER FINIAL FINISH
ORDER CODE: W - FB - 11 - 1 TIER - FF-2 - S-17 - LSB
GLASCORETE **SP-12** COLOR **SP-17**

SPECIFICATIONS :

MATERIAL : GLASCORETE

FRAMING : T.S. 1.5" X 1.5" X 1/4"

WEIGHT : 6FB-11 590 LBS

COLOR : S-1 S-2 S-3 S-4 S-5 S-6 S-7 S-8 S-9
S-10 S-11 S-12 S-13 S-14 S-15 S-16 S-17 S-18

FINISH : / **LSB** /

APPROVED BY : _____

LSB: LIGHT SANDBLAST

CONTACT: CORPORATE / ADMINISTRATIVE: 650 965 7100

www.duraartstone.com

SPECIFICATION © DURAARTSTONE