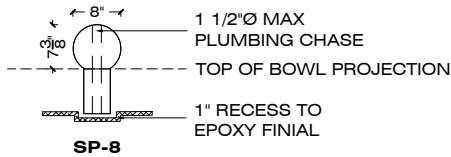
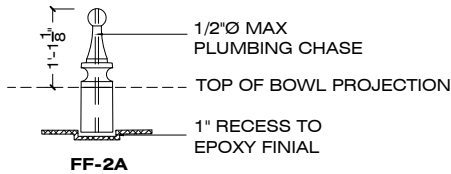
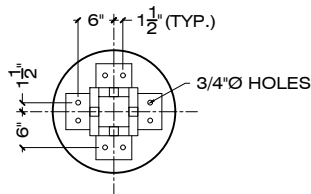


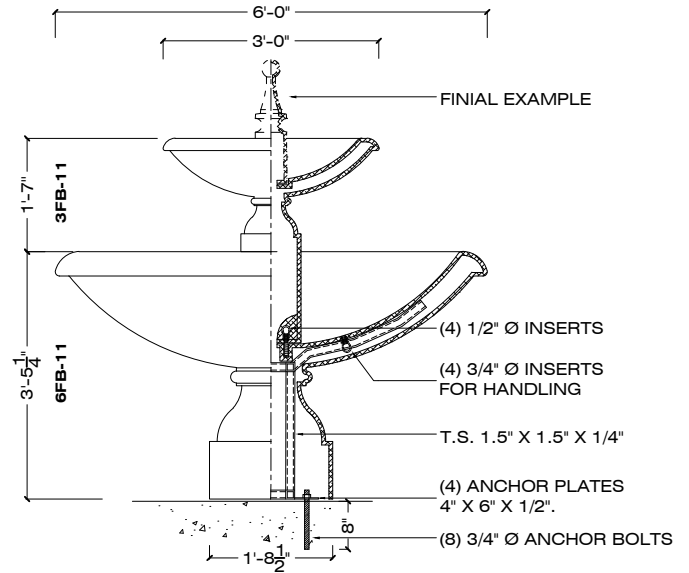
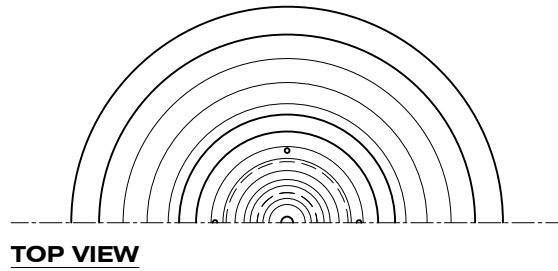
ITEM **FB-11**
2 TIER



FINIAL OPTIONS



BOTTOM ANCHOR LOCATION



ELEVATION SECTION

*ASSEMBLY REQUIRED

3/8" = 1' - 0

ORDER CODE: **W - FB - 11 - 2 TIER - FF-2A - S-17 - LSB**
GLASCRETE FINIAL SP-8 COLOR

SPECIFICATIONS :

MATERIAL : GLASCRETE

COLOR : S-1 S-2 S-3 S-4 S-5 S-6 S-7 S-8 S-9

FRAMING : T.S.1.5" X 1.5" X 1/4"

S-10 S-11 S-12 S-13 S-14 S-15 S-16 S-17 S-18

WEIGHT :
3FB-11 150 LBS
6FB-11 590 LBS
740 LBS

FINISH : / **LSB** /

APPROVED BY : _____

LSB: LIGHT SANDBLAST

CONTACT: CORPORATE / ADMINISTRATIVE: 650 965 7100

www.duraartstone.com