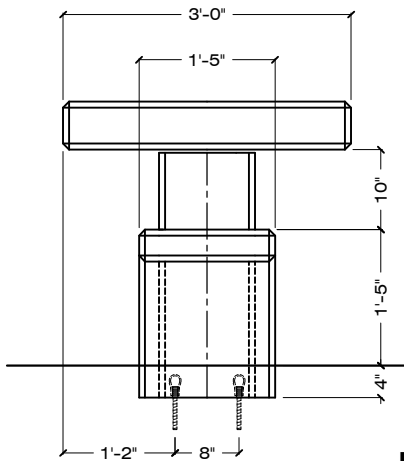
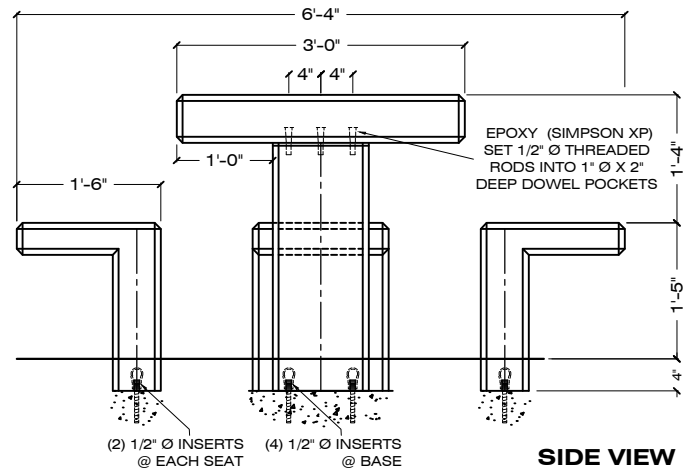


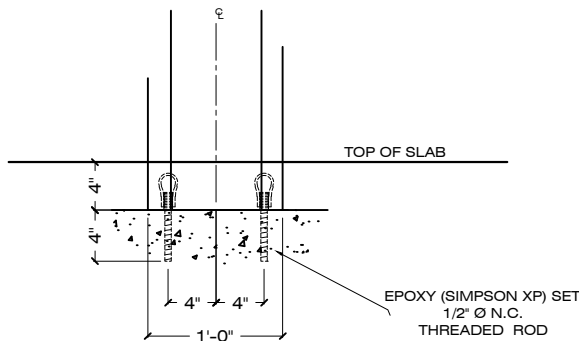
ITEM **S-3PT-50**



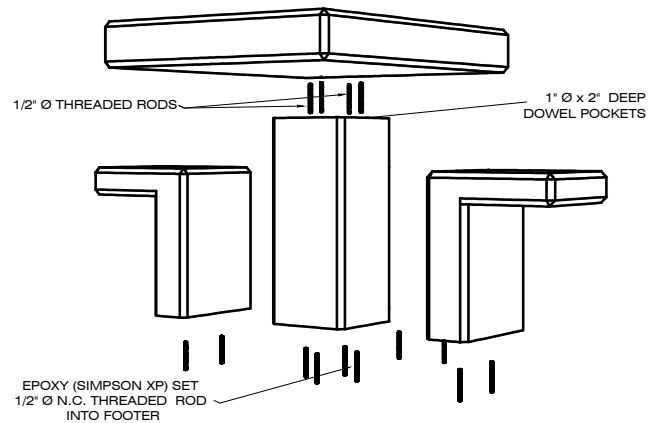
**FRONT VIEW**



**SIDE VIEW**



**SURFACE MOUNT (B)**



**EXPLODED VIEW**

**PICNIC TABLES - ON SITE ASSEMBLY REQUIRED**

1/2" = 1' - 0

**ORDER CODE: S - 3 - PT-50 - B - S-1 - LSB / AE**

LENGHT IN FEET: 3  
 MOUNTING OPTION: B  
 FINISH: LSB / AE

PRECAST CONCRETE  
 DESIGN: S-1  
 COLOR: S-2  
 FINISH EXAMPLE TOP OF BENCHES & TABLES RECEIVE MATTE SEALER: S-3, S-4, S-5, S-6, S-7, S-8, S-9, S-10, S-11, S-12, S-13, S-14, S-15, S-16, S-17, S-18

**SPECIFICATIONS :**

**MATERIAL :** PRECAST CONCRETE

**REBAR :** #3 BAR

**WEIGHT :**

TABLE	675 LBS
TABLE BASE	350 LBS
(2) SEAT EA.	230 LBS
<b>TOTAL WEIGHT</b>	<b>1,485 LBS</b>

**COLOR :** S-1 S-2 S-3 S-4 S-5 S-6 S-7 S-8 S-9  
 S-10 S-11 S-12 S-13 S-14 S-15 S-16 S-17 S-18

**FINISH :** SK / AE / LSB / MSB

**DIMENSIONS :** 76" L X 36" W X 34" H

**APPROVED BY :** \_\_\_\_\_

SK: SMOOTH / AE: ACID ETCH / LSB: LIGHT SANDBLAST / MSB: MEDIUM SANDBLAST

CONTACT: CORPORATE / ADMINISTRATIVE: 650 965 7100

[www.duraartstone.com](http://www.duraartstone.com)