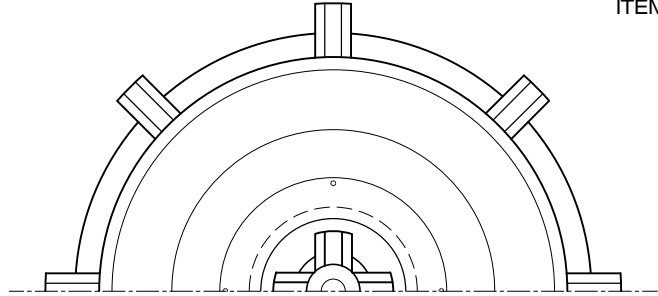
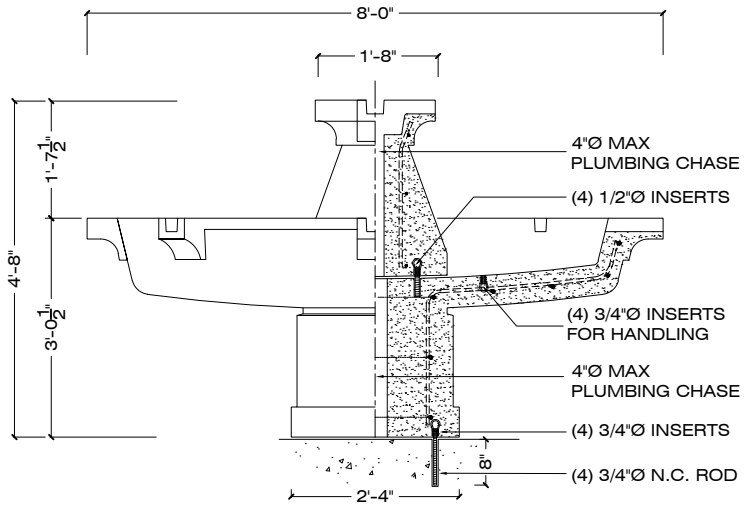


ITEM **FB-9**
2 TIER

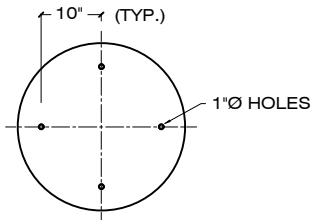


TOP VIEW



ELEVATION

SECTION



BOTTOM ANCHOR LOCATION

3/8" = 1' - 0

MODEL No. TIER FINISH
ORDER CODE: S - FB - 9 - 2 TIER - S-17 - LSB
 PRECAST CONCRETE COLOR

SPECIFICATIONS :

MATERIAL : PRECAST CONCRETE

REBAR : #3 BAR - COATED

WEIGHT : 8FB-9 6300 LBS

COLOR : S-1 S-2 S-3 S-4 S-5 S-6 S-7 S-8 S-9
 S-10 S-11 S-12 S-13 S-14 S-15 S-16 S-17 S-18

FINISH : SK / AE / LSB / MSB

APPROVED BY : _____

SK: SMOOTH / AE: ACID ETCH / LSB: LIGHT SANDBLAST / MSB: MEDIUM SANDBLAST

CONTACT: CORPORATE / ADMINISTRATIVE: 650 965 7100

www.duraartstone.com